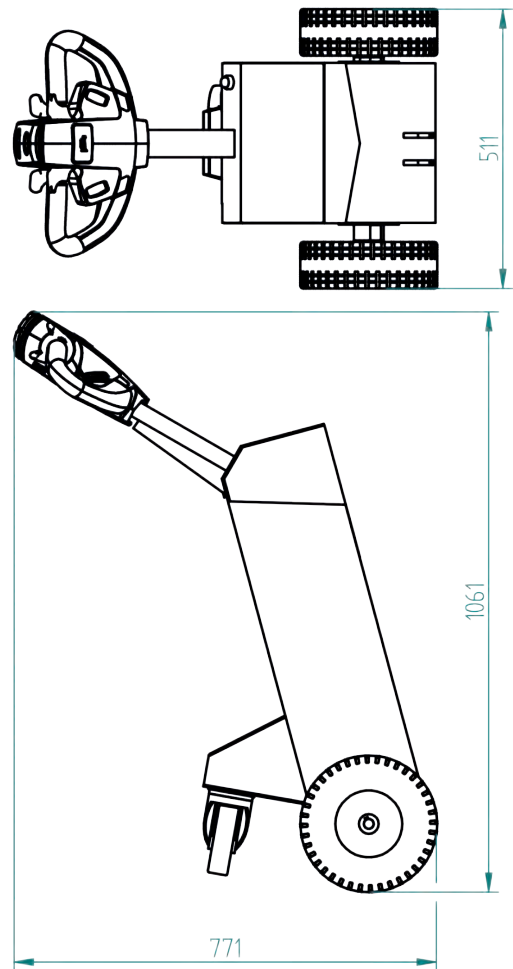




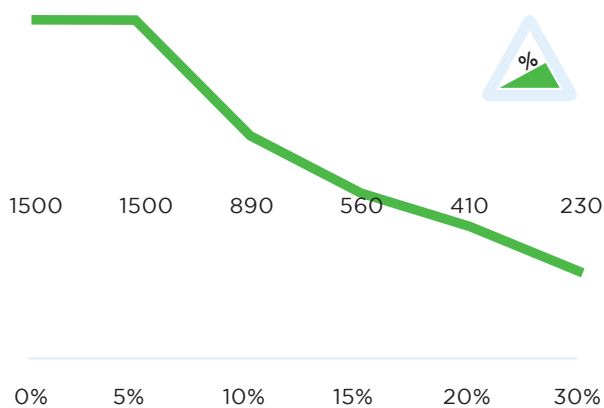
## Specifications T1500-CLEAN ROOM

Frame	Stainless steel, glass pearl blasted
Drive	24V DC, 600W, 100 rpm
Weight	105 kg
Weight trailer	1500 kg
Battery	Built in
Speed	Max. 4,7 km/h
Drive wheels	Non marking full rubber ø250x80 mm
Width	511mm
Length	771mm
Adze height	1061mm
Folded	N/A
Noise level	68,5 dB
To use from	-40 °C / 70 °C
Protection class	Machine IP44

## Dimensions T1500-CLEAN ROOM



## Pulling power T1500-CLEAN ROOM (in kg)



*\*Measured with a trolley with 2 swivelwheels and 2 fixed castors.  
Wheel diameter: 160mm*

## Standard T1500-CLEAN ROOM



## Standard parts T1500-CLEAN ROOM

LED battery indicator  
LBF318-24V



Item number:  
M0123

Battery charger 24V 5A  
AGM external indi



Item number:  
M0246

Non-marking driving  
wheel (full-rubber)



Item number:  
M0249

Safety switch



Item number:  
Standardpart 2

2 programmable speeds



Item number:  
Standardpart 3

## Standard parts T1500-CLEAN ROOM

Engine 600W 100RPM  
BRAKE 6911413X



Item number:  
M2098

Battery 12V 22 Ah AGM



Item number:  
M0076

## Options T1500-CLEAN ROOM



Horn 90dB

Article number:  
OPT0045

hour counter complete



Article number:  
OPT0056



Emergency stop complete

Article number:  
OPT0063

Antistatic strip



Article number:  
OPT0058



Acoustic signal driving backwards

Article number:  
OPT0254

Code lock



Article number:  
OPT0068



Flashlight tube tiller head support (st)

Article number:  
OPT0415

Ignition key unequal key



Article number:  
OPT0145



Counterweight T1000 front 30kg stainless

*Counterweight T1000 front 30kg, stainless steel*

Article number:  
OPT0035

Ignition key equal key 701



Article number:  
OPT0146



Document holder with clip

Article number:  
OPT0053

Customized programming



*please indicate specific settings*

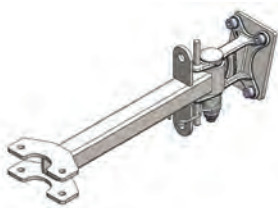
Article number:  
OPT0170

## Options T1500-CLEAN ROOM



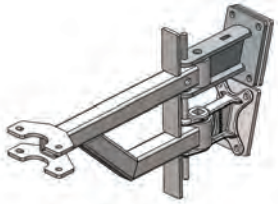
Programmer for Italsea

Article number:  
D0003



Base part hook 15° Stainless steel

Article number:  
H7011



Base part heavy hook 15° stainless steel

Article number:  
H7061



Hook locking system

Article number:  
OPT0012



Lifting module for Hooks stainless steel

Article number:  
OPT0050-RVS



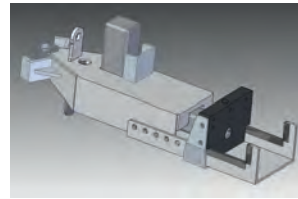
Movexx Parking label

Article number:  
OPT0245

HA245.55.45.0.0 (RVS)



Article number:  
H0004 CLEAN RM



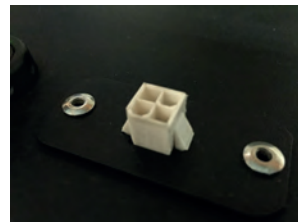
Clamping Hook Stainless steel

Article number:  
H0096



Angle limitation hook 15 degrees

Article number:  
OPT0218



Diagnostic connector

Article number:  
OPT0270



## Movexx International B.V.

Generatorstraat 17

3903 LH Veenendaal

Tel +31 (0)318 51.99.00

Fax +31 (0)318 50.80.20

E-mail [info@movexx.nl](mailto:info@movexx.nl)